



Hilfen zu Wahl der richtigen Größe finden Sie auf Seite 172.
For a selection of the correct size, refer to page 172.

Kopf

Turret



Größe/ Size	Typ/ Type	Art.-Nr./Order no BAS-100	EUR
Aa	Kopf / Head Aa	● -100	155,90
A	Kopf / Head A	● -106	255,80
E	Kopf / Head E	● -123	263,10
B	Kopf / Head B	● -141	324,70
C	Kopf / Head C	● -156	474,70
D	Kopf / Head D	● -177	782,60

Drehstahlhalter

Tool holder



Größe/ Size	h mm	l mm	Typ/ Type	Art.-Nr./Order no BAS-100	EUR
Aa	12	50	DAa 12 50	● -101	49,70
A	20	80	DA 20 80	● -110	55,30
E	20	100	DE 20 100	● -125	75,40
E	25	100	DE 25 100	● -126	78,40
B	25	120	DB 25 120	● -142	87,10
B	25	140	DB 25 140	● -143	87,10
B	32	120	DB 32 120	● -144	88,30
B	32	140	DB 32 140	● -145	89,70
C	32	150	DC 32 150	● -157	137,50
C	32	170	DC 32 170	● -158	137,50
C	40	150	DC 40 150	● -159	150,50
C	40	170	DC 40 170	● -160	150,50
C	45	170	DC 45 170	● -161	169,70
D	40	180	DD 40 180	● -178	210,60
D	50	180	DD 50 180	● -179	220,40
D	63	180	DD 63 180	● -180	239,50

Bohrstahlhalter

Bar holder



Größe/ Size	Ø mm	l mm	Typ/ Type	Art.-Nr./Order no BAS-100	EUR
Aa	12	50	HAa 12 50	● -102	54,30
A	18	80	HA 18 80	● -111	76,50
E	30	100	HE 30 100	● -127	89,90
B	32	130	HB 32 130	● -146	100,50
C	32	160	HC 32 160	● -162	167,90
C	40	160	HC 40 160	● -163	159,70
D	50	180	HD 50 180	● -181	344,40



Bohrstangenhalter

Boring bar holder

Größe/ Size	Ø mm	l mm	Typ/ Type	Art.-Nr./Order no BAS-100	EUR
Aa	15	50	JAa 15 50	● -103	59,60
A	30	80	JA 30 80	● -112	68,00
E	30	100	JE 30 100	● -129	92,40
E	40	100	JE 40 100	● -130	97,90
B	40	120	JB 40 120	● -147	107,60
C	40	150	JC 40 150	● -164	184,10
C	50	150	JC 50 150	● -165	199,40
D	63	180	JD 63 180	● -182	418,00



Abstechhalter

Cutting-off holder

Größe/ Size	für Abstechnmesser / for cutting-off blade	Typ/ Type	Art.-Nr./Order no BAS-100	EUR
Aa	2,5 x 10 mm	AAa	● -104	136,50
A	2,7 x 10 mm	AA	● -113	128,40
E	2,4 x 15,9 mm	AE	● -131	141,20
B	4 x 16 mm	AB	● -148	166,60
C	4,8 x 25 mm	ACM	● -166	198,70

MK-Hülsen, Abstechstäbe, Einlegeprismen und Bohrstangen siehe Seite 174/175. Ersatzteile auf Anfrage.

For MT-sleeves, cutting-off blades, prism inserts and boring bars refer to pages 174/175. Spare parts on request.

Kantentaster

Edge finders



Kantentaster, mechanisch

Edge finders, mechanical

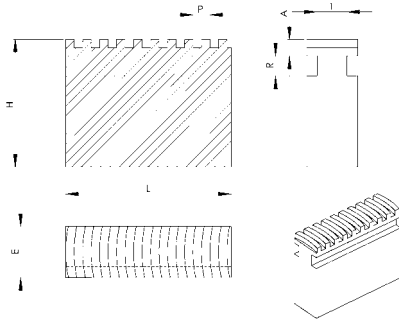
Typ/ Type	Art.-Nr./Order no BAS	EUR
10 x 10	● -1010-N	14,50
10 x 10 x 4 (abgesetzt/stepped)	● -10104-N	14,50



Kantentaster, elektronisch

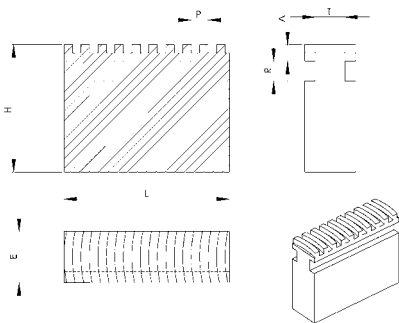
Edge finders, electronical

Typ/ Type	Art.-Nr./Order no BAS	EUR
2D, 20 x 10	● -129055-N	42,90



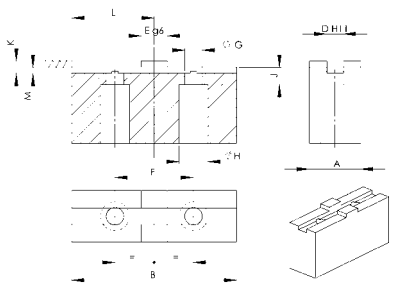
Für 3-Backen-Planspiralfutter RÖHM, Satz à 3 Stk.
For 3-jaw lathe chucks RÖHM, set of 3 pcs.

für / for Ø	E mm	H mm	L mm	P mm	R mm	A mm	T mm	Art.-Nr./Order no BAS-MB-R	EUR
100-110	14	35	38	6	6	6	7,5	▶ -100/110	58,00
125	18	43	50	6	7	7	10,4	▶ -125	68,00
140	18	45	61	6	7	8	10,2	▶ -140	80,00
160	18	48	61	8	7	8	10,2	▶ -160	87,00
200	20	58	78	8	8	8	11,1	▶ -200	95,00
250	24	68	96	10	10	10	15,0	▶ -250	119,00
315	34	78	130	10	15	11	21,0	▶ -315	134,00



Für 3-Backen-Planspiralfutter TOS, Satz à 3 Stk.
For 3-jaw lathe chucks TOS, set of 3 pcs.

für / for Ø	E mm	H mm	L mm	P mm	R mm	A mm	T mm	Art.-Nr./Order no BAS-MB-T	EUR
100	14	35	45	6	7	6	6,8	▶ -100	52,00
125	16	40	50	6	7	5,9	8,4	▶ -125	61,00
160	18	50	65	6	7	7,4	10	▶ -160	65,00
200	22	55	80	8	8	9,8	12	▶ -200	69,00
250	25	60	110	8	8	10	15	▶ -250	74,00
315	32	80	120	10	12	12	16	▶ -315	179,00
400	32	100	135	12	12	15	16	▶ -400	218,00



Mit Kreuzversatz, Satz à 3 Stk.
With cross tenon, set of 3 pcs.

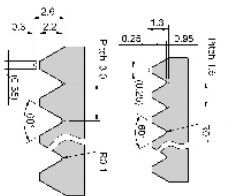
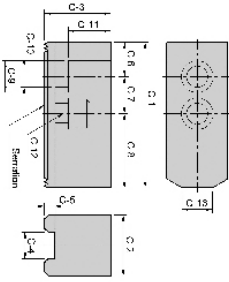
Passend zu verschiedenen Modellen, z.B.
- SCHUNK Rota S-Plus
- RÖHM DURO
- Forkardt F+
- SMW KNCS

Suitable for different types, f.e.
- SCHUNK Rota S-Plus
- RÖHM DURO
- Forkardt F+
- SMW KNCS

für / for Ø	A mm	B mm	C mm	D mm	E mm	F mm	G mm	H mm	J mm	K mm	L mm	M mm	Art.-Nr./Order no BAS-WAB-KS	EUR
160	25	85	40	8	18	32	8,5	14	9	7,5	51	4	▶ -160	69,00
200	25	105	50	10	20	40	8,5	14	11	8,5	60	5	▶ -200	69,00
250	35	125	60	12	20	40	13	20	15	8,5	80	5	▶ -250	79,00
315	40	145	70	12	26	54	13	20	16,5	9,5	87	6	▶ -315	99,00
400	50	180	80	18	30	60	17	25	17,5	11,5	115	7	▶ -400	199,00
500	55	220	100	18	40	76	17	25	17,5	11,5	142	8	▶ -500	369,00
630	65	260	120	24	40	82	21	32	32,5	12,5	169	8	▶ -630	389,00

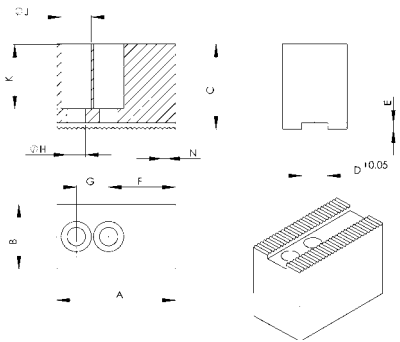


1,5 x 60°, passend zu KITAGAWA, Stück
1,5 x 60°, suitable for KITAGAWA, piece



C-1 mm	C-2 mm	C-3 mm	C-4 mm	C-5 mm	C-6 mm	C-7 mm	C-8 mm	C-9 mm	C-10 mm	C-11 mm	C-13 mm	Verzahnung/ Serration	Art.-Nr./Order no 29-HC	EUR
62	25	30	10	5	9	14	39	13,5	9	21	5	1,5x60°	▶ -05	12,10
73	31	36	12	5	15	20	38	17	11	23	14	1,5x60°	▶ -06	12,40
95	35	37	14	5	24	25	46	19	13	22	16	1,5x60°	▶ -08	14,70
110	40	42	16	5	30	30	50	19	13	27	18	1,5x60°	▶ -10	15,30
130	50	50	21	5	39	30	61	25	17	30	23	1,5x60°	▶ -12	21,20
165	62	62	22	8	37	43	85	32	21	38	-	1,5x60°	▶ -15	54,60
130	50	50	18	5	39	30	61	23	15	30	23	1,5x60°	▶ -12-1	21,20
165	62	62	25,5	5	37	43	85	32	21	38	-	1,5x60°	▶ -15-1	54,60
180	65	70	25	9	40	60	80	32	21	45	-	3,0x60°	▶ -24-1	97,00
210	74	90	25	9	40	80	90	32	21	65	-	3,0x60°	▶ -32-1	130,90

1/16" x 90° passend zu RÖHM, Satz à 3 Stk.
1/16" x 90° suitable for RÖHM, set of 3 pcs.

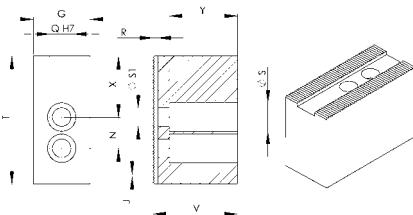


- Standard, gerade

- Standard type, straight end

KFH Ø	A mm	B mm	C mm	D mm	E mm	F mm	G mm	H mm	J mm	K mm	Art.-Nr./Order no BAS-WAB-1/16R	EUR
160	70	40	55	17	5	35	20	13	19	45	▶ -160	49,00
200	80	40	55	17	5	43	20	13	19	45	▶ -200	59,00
250	95	45	55	21	5	54	26	17	25	44	▶ -250	79,00
315	103	50	80	21	5	59	28	17	25	69	▶ -315	89,00

1/16" x 90° passend zu FORKARDT, Satz à 3 Stk.
1/16" x 90° suitable for FORKARDT, set of 3 pcs.



- Standard, gerade

- Standard type, straight end

für / for Ø	G mm	J mm	N mm	Q mm	R mm	S mm	S1 mm	T mm	V mm	X mm	Y mm	Art.-Nr./Order no BAS-WAB	EUR
140	40	1/16"	22	17	4	20	13	70	60	33	48	▶ -1/16F-140	59,00
160	40	1/16"	22	17	4	20	13	90	60	43	48	▶ -1/16F-160	69,00
200	50	1/16"	28	21	4	26	17	120	80	62	67	▶ -1/16F-200	79,00
250	60	1/16"	35	25,5	5	33	21	140	90	75	72	▶ -1/16F-250	159,00
315	60	3/32"	35	25,5	5	33	21	155	90	90	72	▶ -3/32F-315	199,00