

4

ZENTRA

4

Backensätze und Zubehör / Jaws and accessories

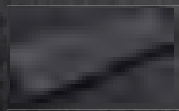
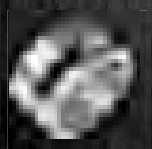


Backensätze und Zubehör

für Drehfutter und Planscheiben

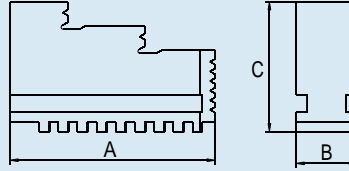
Jaws and accessories

for lathe chucks and independent chucks



Ersatzbacken für Drehfutter Jaws for lathe chucks

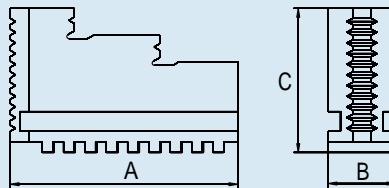
Drehbacken für Drehfutter Inside solid jaws for lathe chucks



Ø mm	A mm	B mm	C mm	3 Art.-Nr./ Order no	EUR	4 Art.-Nr./ Order no	EUR	6 Art.-Nr./ Order no	EUR
80	32	11	28	● BK-DB3500-080		-		-	
100	42	15	32	● BK-DB3500-100		● BK-DB3600-100		○ BK-DB3800-100	
125	51	20	40	● BK-DB3500-125		● BK-DB3600-125		○ BK-DB3800-125	
160	70	20	53	● BK-DB3500-160		● BK-DB3600-160		● BK-DB3800-160	
200	85	25	54	● BK-DB3500-200		● BK-DB3600-200		● BK-DB3800-200	
250	105	28	63	● BK-DB3500-250		● BK-DB3600-250		● BK-DB3800-250	
315	125	32	73	● BK-DB3500-315		● BK-DB3600-315		● BK-DB3800-315	
400	145	36	92	● BK-DB3500-400		● BK-DB3600-400		● BK-DB3800-400	
500	180	40	100	● BK-DB3500-500		● BK-DB3600-500		● BK-DB3800-500	
630/800	225	50	110	● BK-DB3500-630/800		● BK-DB3600-630/800		● BK-DB3800-630	

Preis pro Satz / Price per set

Bohrbacken für Drehfutter Outside solid jaws for lathe chucks

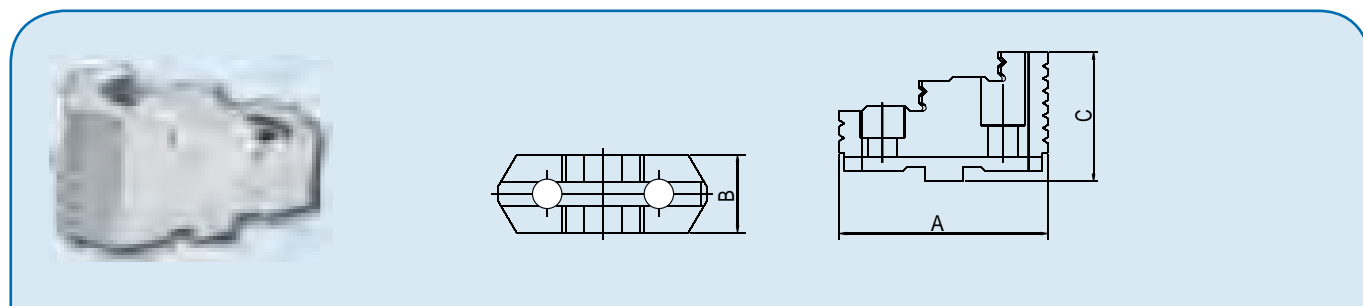


Ø mm	A mm	B mm	C mm	3 Art.-Nr./ Order no	EUR	4 Art.-Nr./ Order no	EUR	6 Art.-Nr./ Order no	EUR
80	32	11	28	● BK-BB3500-080		-		-	
100	42	15	32	● BK-BB3500-100		● BK-BB3600-100		○ BK-BB3800-100	
125	51	20	40	● BK-BB3500-125		● BK-BB3600-125		○ BK-BB3800-125	
160	70	20	53	● BK-BB3500-160		● BK-BB3600-160		● BK-BB3800-160	
200	85	25	54	● BK-BB3500-200		● BK-BB3600-200		● BK-BB3800-200	
250	105	28	63	● BK-BB3500-250		● BK-BB3600-250		● BK-BB3800-250	
315	125	32	73	● BK-BB3500-315		● BK-BB3600-315		● BK-BB3800-315	
400	145	36	92	● BK-BB3500-400		● BK-BB3600-400		○ BK-BB3800-400	
500	180	40	100	● BK-BB3500-500		● BK-BB3600-500		○ BK-BB3800-500	
630/800	225	50	110	● BK-BB3500-630/800		○ BK-BB3600-630/800		○ BK-BB3800-630	

Preis pro Satz / Price per set

Ersatzbacken für Drehfutter Jaws for lathe chucks

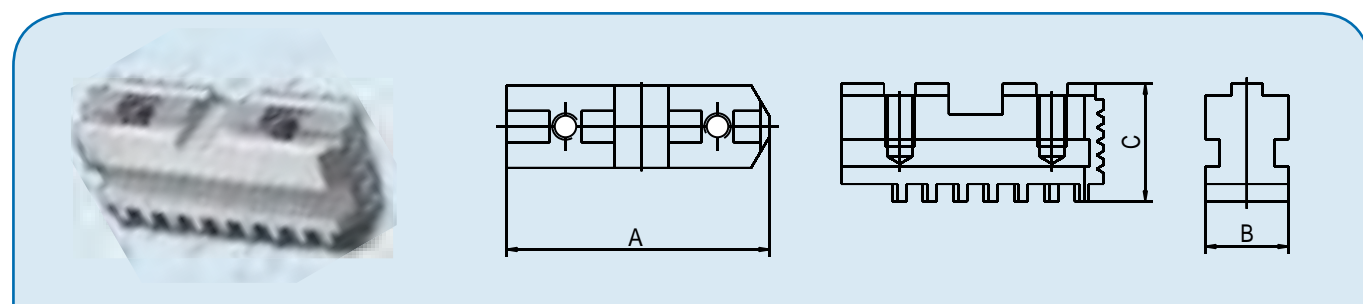
Harte Aufsatzbacken für Drehfutter Hard top jaws for lathe chucks



Ø mm	A mm	B mm	C mm	3 Art.-Nr./ Order no	EUR	4 Art.-Nr./ Order no	EUR	6 Art.-Nr./ Order no	EUR
125	56	22	38,5	● BK-HAB3500-125		● BK-HAB3600-125		○ BK-HAB3800-125	
160	67	25	41,5	● BK-HAB3500-160		● BK-HAB3600-160		● BK-HAB3800-160	
200	80	27	43,5	● BK-HAB3500-200		● BK-HAB3600-200		● BK-HAB3800-200	
250	95	32,5	51,5	● BK-HAB3500-250		● BK-HAB3600-250		● BK-HAB3800-250	
315	110	37	55	● BK-HAB3500-315		● BK-HAB3600-315		● BK-HAB3800-315	
400	127	42	64,5	● BK-HAB3500-400		● BK-HAB3600-400		○ BK-HAB3800-400	
500	127	42	74,5	● BK-HAB3500-500		● BK-HAB3600-500		○ BK-HAB3800-500	
630	127	52	82	● BK-HAB3500-630/800		● BK-HAB3600-630/800		○ BK-HAB3800-630	

Preis pro Satz / Price per set

Harte Grundbacken für Drehfutter Hard master jaws for lathe chucks

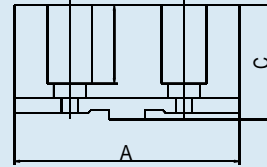
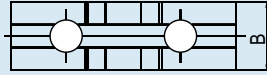


Ø mm	A mm	B mm	C mm	2 Art.-Nr./ Order no	EUR	3 Art.-Nr./ Order no	EUR	4 Art.-Nr./ Order no	EUR	6 Art.-Nr./ Order no	EUR
125	54	20	28	-		● BK-GB3500-125		● BK-GB3600-125		○ BK-GB3800-125	
160	65	20	29	● BK-GB3100-160		● BK-GB3500-160		● BK-GB3600-160		● BK-GB3800-160	
200	79	25	33	● BK-GB3100-200		● BK-GB3500-200		● BK-GB3600-200		● BK-GB3800-200	
250	92	28	36	● BK-GB3100-250		● BK-GB3500-250		● BK-GB3600-250		● BK-GB3800-250	
315	110	32	40	● BK-GB3100-315		● BK-GB3500-315		● BK-GB3600-315		● BK-GB3800-315	
400	130	36	49	● BK-GB3100-400		● BK-GB3500-400		● BK-GB3600-400		● BK-GB3800-400	
500	166	40	54	-		● BK-GB3500-500		● BK-GB3600-500		● BK-GB3800-500	
630	210	50	54,5	-		○ BK-GB3500-630		○ BK-GB3600-630		● BK-GB3800-630	

Preis pro Satz / Price per set

Ersatzbacken für Drehfutter Jaws for lathe chucks

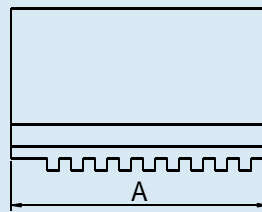
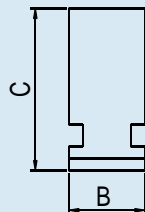
Weiche Aufsatzbacken für Drehfutter Soft top jaws for lathe chucks



Ø mm	A mm	B mm	C mm	2 Art.-Nr./ Order no	EUR	3 Art.-Nr./ Order no	EUR	4 Art.-Nr./ Order no	EUR	6 Art.-Nr./ Order no	EUR
125	56	22	38,5	-		● BK-WAB3500-125		● BK-WAB3600-125		○ BK-WAB3800-125	
160	67	25	41,5	● BK-WAB3100-160		● BK-WAB3500-160		● BK-WAB3600-160		● BK-WAB3800-160	
200	90	27	43,5	● BK-WAB3100-200		● BK-WAB3500-200		● BK-WAB3600-200		● BK-WAB3800-200	
250	106	32	51,5	● BK-WAB3100-250		● BK-WAB3500-250		● BK-WAB3600-250		● BK-WAB3800-250	
315	120	37	55	● BK-WAB3100-315		● BK-WAB3500-315		● BK-WAB3600-315		● BK-WAB3800-315	
400	140	42	64,5	● BK-WAB3100-400		● BK-WAB3500-400		● BK-WAB3600-400		● BK-WAB3800-400	
500	140	42	74,5	-		● BK-WAB3500-500		● BK-WAB3600-500		○ BK-WAB3800-500	
630	160	52	82	-		● BK-WAB3500-630/800		● BK-WAB3600-630/800		○ BK-WAB3800-630	

Preis pro Satz / Price per set

Weiche Monoblockbacken für Drehfutter Soft solid jaws for lathe chucks



Ø mm	A mm	B mm	C mm	3 Art.-Nr./ Order no	EUR	4 Art.-Nr./ Order no	EUR	6 Art.-Nr./ Order no	EUR
80	32	11	28	● BK-MB3500-080		-		-	
100	42	15	32	● BK-MB3500-100		● BK-MB3600-100		○ BK-MB3800-100	
125	51	20	40	● BK-MB3500-125		● BK-MB3600-125		○ BK-MB3800-125	
160	70	20	53	● BK-MB3500-160		● BK-MB3600-160		● BK-MB3800-160	
200	85	25	54	● BK-MB3500-200		● BK-MB3600-200		○ BK-MB3800-200	
250	105	28	63	● BK-MB3500-250		● BK-MB3600-250		● BK-MB3800-250	
315	125	32	73	● BK-MB3500-315		● BK-MB3600-315		○ BK-MB3800-315	
400	145	36	92	● BK-MB3500-400		● BK-MB3600-400		● BK-MB3800-400	
500	180	40	100	● BK-MB3500-500		● BK-MB3600-500		○ BK-MB3800-500	
630/800	225	50	110	● BK-MB3500-630/800		● BK-MB3600-630/800		○ BK-MB3800-630/800	

Preis pro Satz / Price per set

Ersatzteile für Drehfutter Spare parts for lathe chucks

Planspiralring Scroll plate



Ø mm	Art.-Nr./ Order no BK-PLR3200	EUR
80	● -080	
100	● -100	
125	● -125	
160	● -160	
200	● -200	
250	● -250	
315	● -315	
400	● -400	
500	○ -500	
630	○ -630	
800	○ -800	

Preis pro Stück / Price per piece

Haltebolzen Pinion screw



Ø mm	Art.-Nr./ Order no BK-HB	EUR
80	● -080	
100	● -100	
125	● -125	
160	● -160	
200	● -200	
250	● -250	
315	● -315	
400	● -400	
500	● -500	
630	○ -630	
800	○ -800	

Preis pro Stück / Price per piece

Ritzel (Guss) Pinion (Cast iron)



Ø mm	Art.-Nr./ Order no BK-RI3200	EUR
80	● -080	
100	● -100	
125	● -125	
160	● -160	
200	● -200	
250	● -250	
315	● -315	
400	● -400	
500	● -500	
630	● -630	
800	○ -800	

Preis pro Stück / Price per piece

Ritzel (Stahl) Pinion (Steel)



Ø mm	Art.-Nr./ Order no BK-RI3500	EUR
125	● -125	
160	● -160	
200	● -200	
250	● -250	
315	● -315	
400	● -400	
500	● -500	
630	● -630	
800	○ -800	

Preis pro Stück / Price per piece

Halbscheibe Pinion half ring



Ø mm	Art.-Nr./ Order no BK-HS	EUR
125	● -125	
160	● -160	
200	● -200	
250	● -250	
315	● -315	
400	● -400	
500	● -500	
630	○ -630	
800	○ -800	

Preis pro Stück / Price per piece

Führungsbuchse Pinion sleeve



Ø mm	Art.-Nr./ Order no BK-FB	EUR
125	● -125	
160	● -160	
200	● -200	
250	● -250	
315	● -315	
400	● -400	
500	● -500	
630	○ -630	
800	○ -800	

Preis pro Stück / Price per piece

Schlüssel Wrench



Ø mm	□	Art.-Nr./ Order no BK-SCH	EUR
80	6	● -080	
100	9	● -100/125	
125	9	● -100/125	
160	11	● -160/200	
200	11	● -160/200	
250	14	● -250/315	
315	14	● -250/315	
400	17	● -400	
500	19	● -500/630	
630	19	● -500/630	
800	19	○ -800	

Preis pro Stück / Price per piece

Einstellschraube Fine adjustment screw

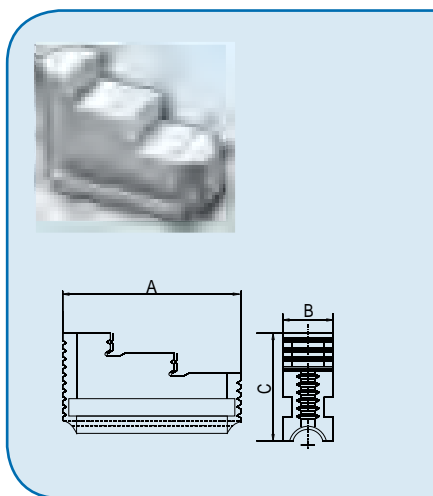


Ø mm	Art.-Nr./ Order no BK-ES	EUR
100	● -100	
125	● -125	
160	● -160	
200	● -200	
250	● -250	
315	● -315	
400	● -400	
500	○ -500	
630	○ -630	

Preis pro Stück / Price per piece

Ersatzbacken für Planscheiben Jaws for independent chucks

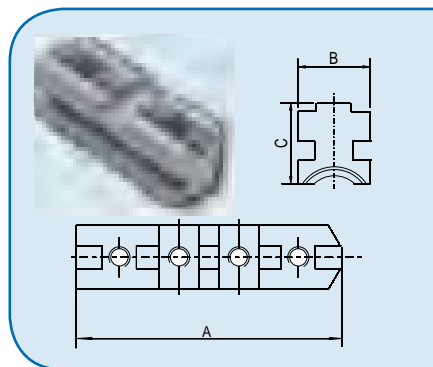
Harte Umkehrbacken für Planscheiben / Hard reversible jaws for independent chucks



Ø mm	A mm	B mm	C mm	Art.-Nr./ Order no	EUR
80	33	15	33	BK-HUB4300-080	
100	42	16	42	BK-HUB4300-100	
125	53	18	42	BK-HUB4300-125	
160	61.5	20	51	BK-HUB4300-160	
200	85	27	61.5	BK-HUB4300-200	
250	92	27	61.5	BK-HUB4300-250	
315	111	40	76.5	BK-HUB4300-315	
400	129	40	76.5	BK-HUB4300-400	
500	152.5	52	93.5	BK-HUB4300-500	
630	177	52	100.5	BK-HUB4300-630	
800	202	70	114.5	BK-HUB4300-800	
1000	245	80	150	BK-HUB4300-1000	
1250	245	80	150	BK-HUB4300-1250	

Preis pro Satz / Price per set

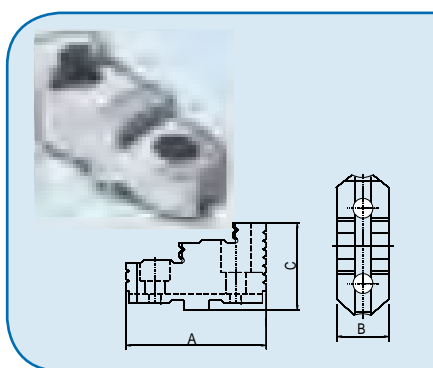
Harte Grundbacken für Planscheiben / Hard master jaws for independent chucks



Ø mm	A mm	B mm	C mm	Art.-Nr./ Order no	EUR
200	79	27	32	BK-GB4300-200	
250	94	27	38	BK-GB4300-250	
315	110	40	39	BK-GB4300-315	
400	129	40	44	BK-GB4300-400	
500	168	52	59	BK-GB4300-500	
630	206	52	59	BK-GB4300-630	
800	206	70	59	BK-GB4300-800	
1000	305	80	76	BK-GB4300-1000	
1250	305	80	76	BK-GB4300-1250	

Preis pro Satz / Price per set

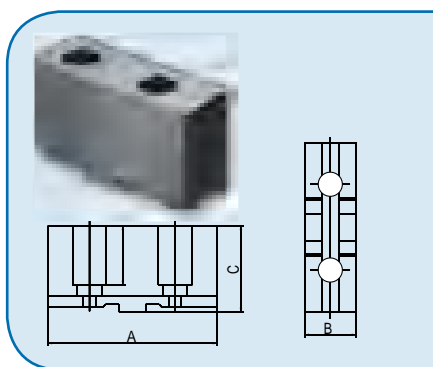
Harte Aufsatzbacken für Planscheiben / Hard top jaws for independent chucks



Ø mm	A mm	B mm	C mm	Art.-Nr./ Order no	EUR
200	82	34	43.5	BK-HAB4300-200	
250	96.5	34	51.5	BK-HAB4300-250	
315	112.5	42	55	BK-HAB4300-315	
400	129	42	64.5	BK-HAB4300-400	
500	136	54	74.5	BK-HAB4300-500	
630	136	54	82	BK-HAB4300-630	
800	136	72	88	BK-HAB4300-800	
1000	160	82	102	BK-HAB4300-1000	
1250	160	82	102	BK-HAB4300-1250	

Preis pro Satz / Price per set

Weiche Aufsatzbacken für Planscheiben / Soft top jaws for independent chucks



Ø mm	A mm	B mm	C mm	Art.-Nr./ Order no	EUR
200	90	40	43.5	BK-WAB4300-200	
250	106	47	51.5	BK-WAB4300-250	
315	120	52	55	BK-WAB4300-315	
400	140	52	64.5	BK-WAB4300-400	
500	145	60	82	BK-WAB4300-500	
630	145	60	82	BK-WAB4300-630	
800	145	80	85	BK-WAB4300-800	
1000	170	85	102	BK-WAB4300-1000	
1250	170	85	102	BK-WAB4300-1250	

Preis pro Satz / Price per set

